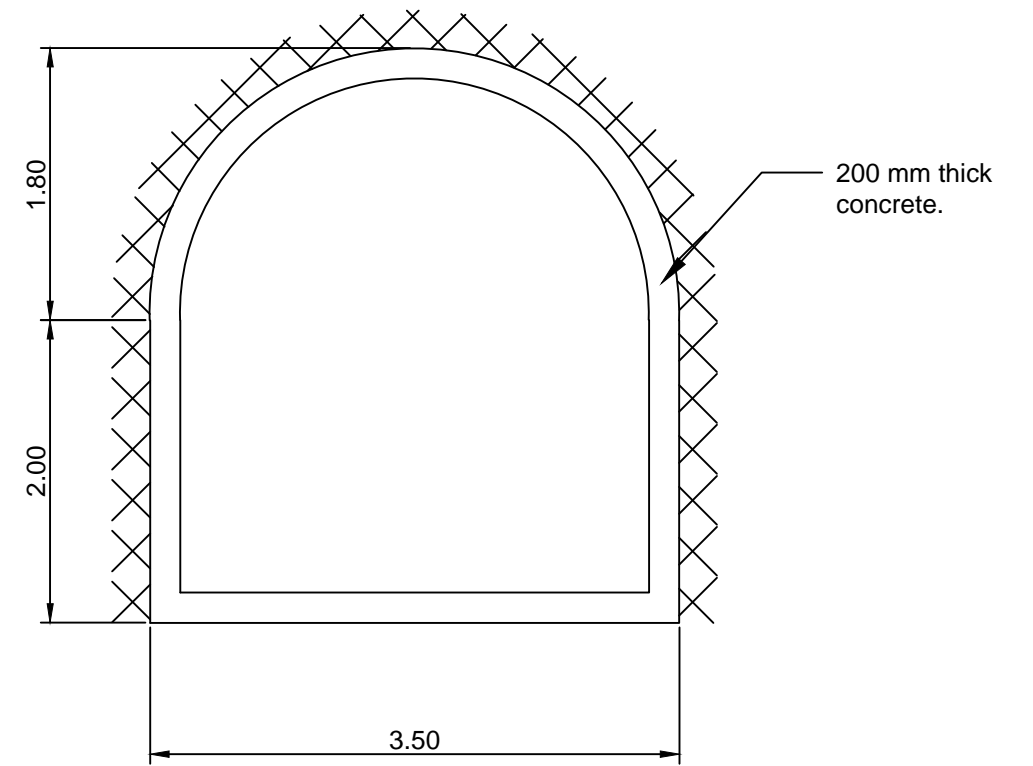
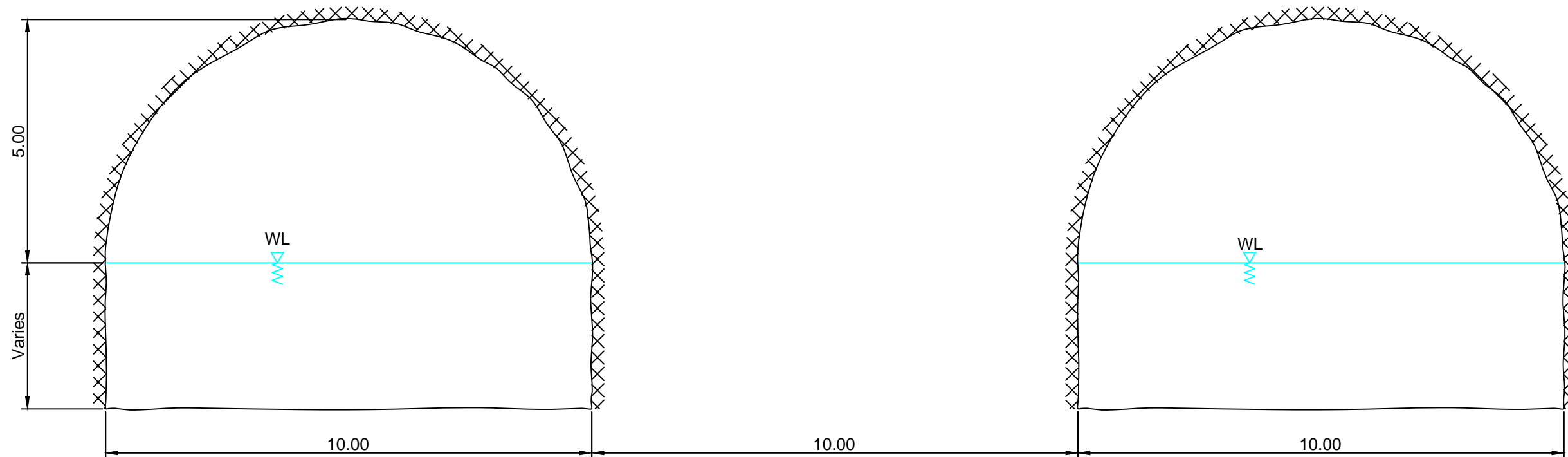


**CROSS SECTION  
PENSTOCK IN THE TUNNEL**  
Scale 1/50 @ A3



**CROSS SECTION LINED  
PRESSURE TUNNEL**  
Scale 1/50 @ A3



**CROSS SECTION  
SETTLING BASINS**  
Scale 1/100 @ A3

(Note: Indicative only, all dimensions approximate.)